

# NSR-500

Network Surveillance Recording Server



**SONY**  
make.believe

The NSR-500 is Sony's 16-channel full-HD network surveillance recording server delivering an excellent cost-performance ratio.

Six models with different storage capacities are available, so you can select according to your precise requirements.



## FEATURES

### ■ Long-duration Recording

With a 12 TB HDD (2 TB x 6), you can record more than 300 hours of high-quality full-HD images compressed at 4 Mbps with a frame rate of 30 fps.

### ■ RAID Technology to Prevent Disk-failure Data Loss

The hard disk storage units of the NSR-500 are configured with high redundancy. They feature RAID implementations and hotswappable capabilities to protect important data against hard disk failure, 24 hours a day. You can choose from RAID 1 (1+0), RAID 5 or RAID 5 + Hot Spare, depending on your system requirements.

### ■ Optional Licenses for Future System Expansion

The optional NSBK-CL05 allows you to add extra licenses, and you can connect up to 24 network cameras to a single NSR-500 (including the original 16 cameras).

### ■ Easy Setup and Easy Operation

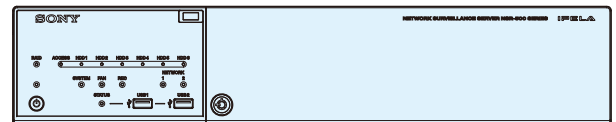
The NSR-500 detects Sony's network cameras in a network and sets up all the parameters of each camera in a step-by-step manner with a dedicated setup wizard. This drastically reduces the time required for system installation. Images from cameras are assigned automatically to a monitor layout menu, so that you can start monitoring instantly.

### ■ Backward System Compatibility

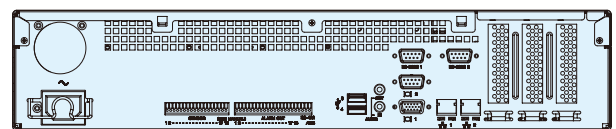
The NSR-500 can be used with Sony's existing recording systems such as the NSR-1000 Series, and RealShot Manager Advanced, through the RealShot Manager Advanced client, whose software can be downloaded from the NSR-500.

## CONNECTORS

### Front Panel (Cover Open) NSR-500



### Rear Panel NSR-500



## SPECIFICATIONS

NSR-500	
<b>Video/Recording</b>	
Number of cameras supported	16 (max. 24ch with NSBK-CL05)
Video compression (IP camera)	H.264, MPEG-4, JPEG
Total recording frame rate (at H.264, full-HD, 4 Mbps)	480 fps
Recording frame rate / camera	Max. 30 fps / camera
Hard disk drives (physical capacity)	Up to 12 TB (2 TB x 6)
Hard disk drives (interface)	Serial ATA
Hard disk drives (RAID level) *RAID level to be selected depends on the number of HDDs	RAID 0, 1 (1+0), 5, 5+hot spare
Hard disk drives (recording capacity)	NSR-500:01 (RAID no) : Approx. 880 GB NSR-500:02 (RAID 0) : Approx. 1.7 TB NSR-500:04 (RAID 5) : Approx. 2.6 TB NSR-500:08 (RAID 5) : Approx. 5.4 TB NSR-500:12 (RAID 5) : Approx. 9.0 TB
Expansion storage	iSCSI storage (max. 16 TB)
<b>Video Output</b>	
Monitor OUT *1	Analog RGB (D-sub 15-pin) x 1
Monitor OUT display resolution	1,920 x 1,200 / 1,920 x 1,080 / 1,360 x 768 / 1,600 x 1,200 / 1,280 x 1,024 / 1,024 x 768
<b>Audio Output</b>	
Audio OUT	Stereo mini jack x 1
<b>Sensor Input/Alarm Output</b>	
Sensor IN	Compatible with DC3.3 V to 24 V, photo coupler input x 8 (insulated from main unit)
Alarm OUT	Max. DC 24V/1A, mechanical relay output x 8 (insulated from main unit)
<b>Other Interfaces</b>	
Ethernet	1000BASE-T/100BASE-TX/10BASE-T x 2
USB	USB2.0 x 2 (Front), USB2.0 x 2 (Rear)
Serial interface (for UPS)	RS-232C : D-sub 9-pin x 1
<b>General</b>	
Dimensions (W x H x D)	440 x 88 x 400 mm (17 3/8 x 3 1/2 x 15 3/4 inch), excluding protrusions
Mass	Approx. 9.4 kg (20 lb 12 oz)
Power requirements	100 V to 127 V AC / 200 V to 240 V (50/60 Hz)
Power consumption	Max. 250 W (100-240 V 3.5-1.5 A)
Operating temperature	5 to 40 degrees C (41 to 104 degrees F)
Operating humidity	20 to 80% (no condensing)
Supplied accessories	Installation manual x 1, CD-ROM x 1, Flyer (WEEE) x 1, Flyer (EU battery) x 1, Warranty booklet x 1, Front panel key x 2, Rubber PAD x 4, HDD screw x 24 (*w/o HDD model only), Setup Disc x 1 (*w/o HDD model only)

\*1: Monitoring performance depends on the number of cameras registered and recorded, so Display Out is used for making settings.

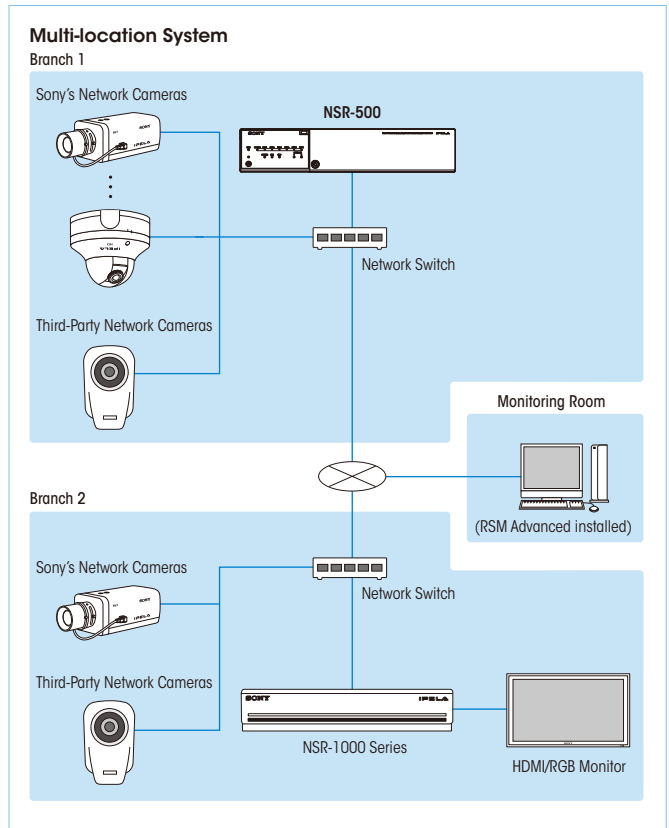
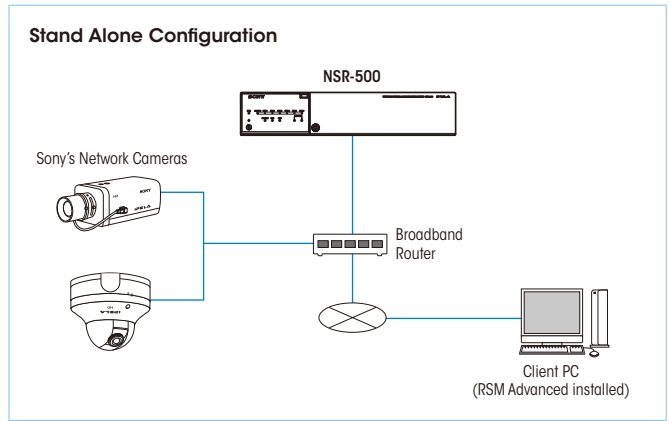
## LINE UP

	NSR-500					
	NSR-500:00	NSR-500:01	NSR-500:02	NSR-500:04	NSR-500:08	NSR-500:12
HDD	-	1 TB x1	1 TB x2	1 TB x4	2 TB x4	2 TB x6
Physical capacity	-	1 TB	2 TB	4 TB	8 TB	12 TB
Default RAID level	-	-	RAID 0	RAID 5		

## OPTIONAL ACCESSORIES

- Additional Camera License NSBK-CL05
- Hard Disk Drive (1 TB) NSBK-HS05:01
- Hard Disk Drive (2 TB) NSBK-HS05:02

## SYSTEM EXAMPLES



Distributed by

